

# TF33.7-100L

## TURBOFARMER II

- ▶ Kubota Tier III Engine, **100Horsepower**
- ▶ Though compact, the cab is the **widest in-class**, bringing premium comfort
- ▶ Simple, uninhibited access to the engine means **quick and seamless servicing**
- ▶ Improved acceleration and **higher maximum speed**

SINCE 1964

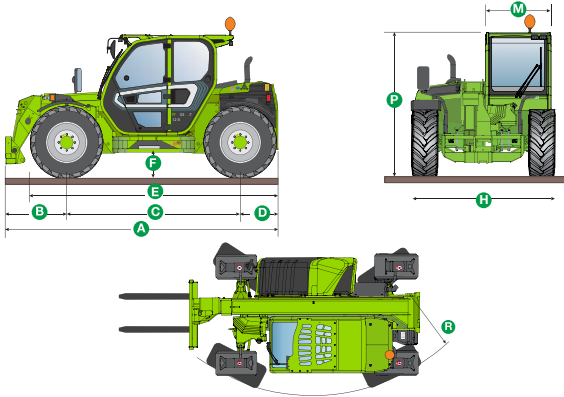


Small design with big performance, the Merlo TF33.7-100L delivers on all levels.



# TURBOFARMER II

# TF33.7-100L

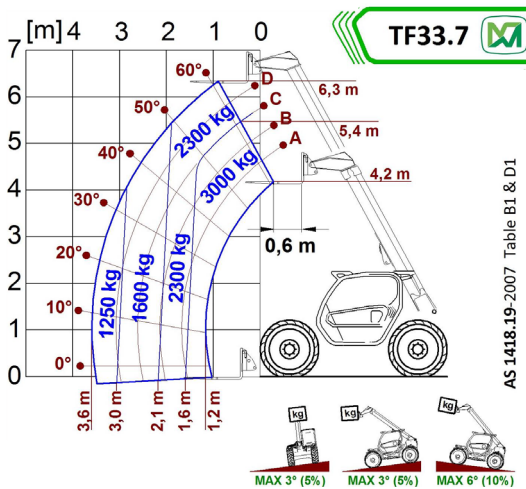


## DIMENSIONS

A (mm)	4,310
B (mm)	970
C (mm)	2,740
D (mm)	600
E (mm)	3,910
F (mm)	300
H (mm)	2,100
M (mm)	995
P (mm)	2,020
R (mm)	3,930

## PERFORMANCE

Unladen Weight (kg)	6,500
Maximum Load Capacity (kg)	3,000
Maximum Lift Height (m)	6.3
Capacity at Maximum Height (kg)	2,300
Maximum Reach (m)	3.6
Capacity at Maximum Reach (kg)	1,250



## STANDARD SPECIFICATIONS

### Engine

Turbo Engine	Kubota V3800 Euro III
Range/Cylinders	3800/4
Engine Power (kW/HP)	74/100
Maximum Speed (km/h)	40
Fuel Tank Capacity (l)	80

### Transmission

Hydrostatic Merlo Transmission	Std
Speeds	2
Dual Reverse Shuttle System	Std
Pedal Inching-Control	Std
Permanent Four-Wheel Drive	Std

### Brakes

Automatic Parking Brake	Std
External Dry Disc Service Brakes	Std

### Tyres

Standard Tyres	405/70-20
----------------	-----------

### Cab

Air Conditioned Cabin	Std
Pressurized Cabin	Std
Air Suspension Seat	Std
FOPS (ISO 3449) and ROPS (ISO 3471) Cab	Std

### Steering

All Wheel Steering	Std
--------------------	-----

### Instruments

Electronic Joystick Control	Std
Merlo Dynamic Load Control (M-CDC)	Std
Reversing Camera	Std

### Hydraulic System-Implement

LS Flow-Sharing Hydraulic System (bar-l/min)	210-125
BSS Hydro-Pneumatic Boom Suspension	Std
Hydraulic Oil Tank Capacity (l)	85
Fan Drive Pump (l/min)	46
Auxiliary Hydraulic Service on Boom	Std

### Accessories and Attachments

Tac-Lock Attachment Locking	Std
Standard Forks	Std
Fork Extensions	Optional
Digging Bucket	Optional
Re-Handling Bucket	Optional
4 x 1 Bucket	Optional
Multipurpose Bucket with Grab	Optional
Crane Hook	Optional
Reduced Height Crane Jib	Optional
Drum Clamp	Optional
Forks with Slide Protection	Optional
Handler for Single Round Bale	Optional
Fork Rotator	Optional
Carriage with Floating Forks	Optional

## EXTRA SPECIFICATIONS

Hydraulic Reversible Fan	Std
--------------------------	-----



120-124 Toongabbie Road Girraween 2145 NSW Australia  
 For further information please call **1300 657 325** or visit [merloaustralia.com.au](http://merloaustralia.com.au)

Merlo reserves the right to modify and update the contents of this document at any time. Information and technical data are as available at time of printing.

For current information on Merlo products please contact your Merlo dealer.

ABN 87116110751 **MER-TF33.7-100L-2018**