

# TURBOFARMER II

# TF50-8T-120

- ▶ Standard **chassis levelling device** ensures safe operations on uneven surfaces
- ▶ Hydrostatic transmission **ensures safety** thanks to dynamic braking and intuitive use
- ▶ The **widest cabin in its category** at 1,010mm
- ▶ **Simplified engine layout** for easy access to maintenance and service points

SINCE 1964

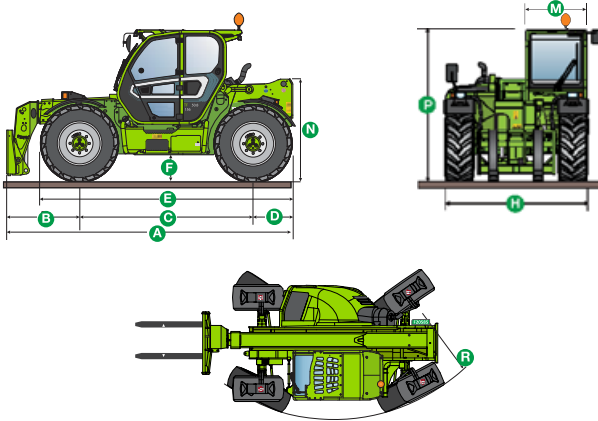


The Turbofarmer HD offers improved safety systems without compromising performance.



# TURBOFARMER HD

# TF50.8T-120

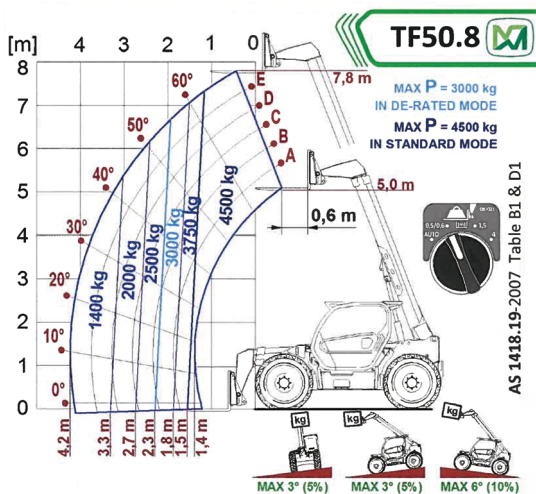


## DIMENSIONS

A (mm)	4,835
B (mm)	1,220
C (mm)	2,920
D (mm)	670
E (mm)	4,240
F (mm)	450
H (mm)	2,350
M (mm)	995
N (mm)	1,630
P (mm)	2,535 (min)

## PERFORMANCE

Unladen Weight (kg)	9,350
Maximum Load Capacity (kg)	4,500
Maximum Lift Height (m)	7.8
Capacity at Maximum Height (kg)	4,500
Maximum Reach (m)	4.2
Capacity at Maximum Reach (kg)	1,400
Frame Levelling (%)	±10



## STANDARD SPECIFICATIONS

### Engine

Turbo Engine	Deutz Tier 4 Interim
Range/Cylinders	3600/4
Engine Power (kW/HP)	90/122
Maximum Speed (km/h)	40
Fuel Tank Capacity (l)	150

### Transmission

Hydrostatic Merlo EPD Transmission	Std
Speeds	2
Dual Reverse Shuttle System	Std
Pedal Inching-Control	Std
Permanent Four-Wheel Drive	Std

### Brakes

Automatic Parking Brake	Std
External Dry Disc Service Brakes	Std

### Tyres

Standard Tyres	500/70 x 24
----------------	-------------

### Cab

Air Conditioned Cabin	Std
Pressurized Cabin	Std
Air Suspension Seat	Std
FOPS (ISO 3449) and ROPS (ISO 3471) Cab	Std

### Steering

All Wheel Steering	Std
--------------------	-----

### Instruments

Electronic Joystick Control	Std
Merlo Dynamic Load Control (M-CDC)	Std
Reversing Camera	Std

### Hydraulic System-Implement

Load-Sensing Hydraulic System (bar-l/min)	210-145
BSS Hydro-Pneumatic Boom Suspension	Std
Hydraulic Oil Tank Capacity (l)	95
Auxiliary Hydraulic Service on Boom	Std

### Accessories and Attachments

Tac-Lock Attachment Locking	Std
Standard Forks	Std
Fork Extensions	Optional
Digging Bucket	Optional
Re-Handling Bucket	Optional
4 x 1 Bucket	Optional
Crane Hook	Optional
Reduced Height Crane Jib	Optional
Fork Rotator	Optional

## EXTRA SPECIFICATIONS

Frame Levelling	Std
-----------------	-----



120-124 Toongabbie Road Girraween 2145 NSW Australia  
For further information please call **1300 657 325** or visit [merloaustralia.com.au](http://merloaustralia.com.au)

Merlo reserves the right to modify and update the contents of this document at any time. Information and technical data are as available at time of printing.

For current information on Merlo products please contact your Merlo dealer.

ABN 87116110751 **MER-TF50.8T-120-2018**