



# D12 HIGH-VOLUME DUMP TRUCK



## KEY FEATURES

- ENHANCED SAFETY AND STABILITY
- HIGH VOLUME ABRASION RESISTANT SKIP
- 4WD HYDROSTATIC TRANSMISSION
- 4 WHEELS STEERING
- MAXIMUM MANEUVERABILITY
- LEVEL II FOPS PROTECTION SYSTEM
- ENCLOSED AIR-CONDITIONED CABIN
- ROBUST AND RELIABLE

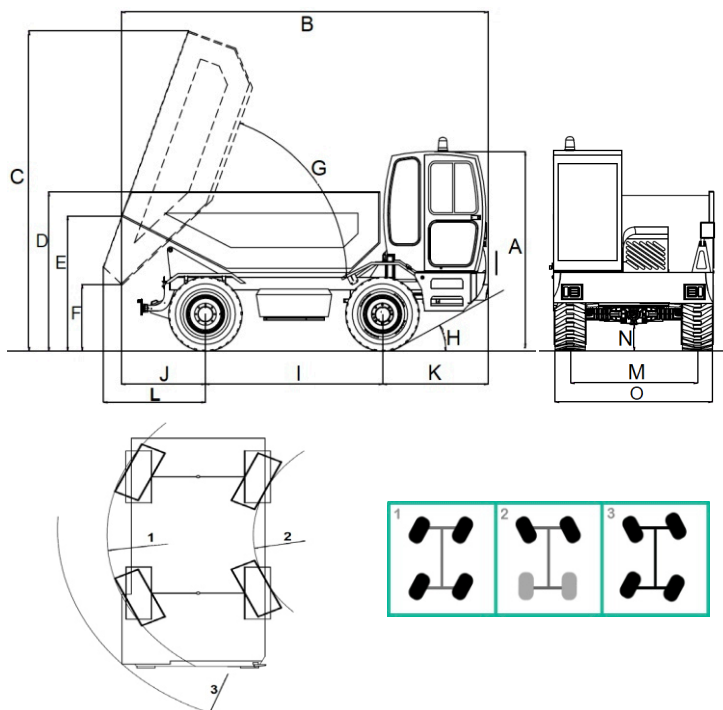
**NIMAC**  
PACIFIC

## PERFORMANCE

MODEL	D12
Maximum Load Capacity	12000 Kg
SAE Heaped Capacity	8300 L
Struck Capacity	6700 L
Unladen Weight	6170 Kg
Body External Turning Radius (1)	5150 mm
Internal Wheels Turning Radius (2)	2475 mm
External Wheels Turning Radius (3)	4650 mm
MAX Driving Speed	35 Km/h
MAX Gradeability with Full load	40 %

## DIMENSIONS

A. Height (to the cabin roof)	2820 mm
A1. Height with Optional Bulkhead Protection	3150 mm
B. Length	5420 mm
C. Height (with skip fully tilted)	4400 mm
C1. Height with Optional Bulkhead Protection	5600 mm
D. Skip Height	2180 mm
E. Skip Lower Edge	1860 mm
F. Skip Lower Point at Tipping	1020 mm
G. Tipping Angle	70 °
H. Approach angle	26 °
I. Wheelbase	2580 mm
J. Distance From Rear Axle to Skip Tail	1305 mm
K. Distance From Front Axle to Front Protection	1515 mm
M. Track	1910 mm
N. Ground Clearance	370 mm
O. Width (with Std Tyres 18/19,5-16")	2360 mm



## STANDARD SPECIFICATIONS:

### ENGINE

Model	Perkins 1104 Tier IIIA
Engine Power	(83 Kw/113 Hp)

### TRANSMISSION

Type/Model	Automotive Hydrostatic Transmission
Front Axle	8° Oscillating Steering Axle,
Rear Axle	Fixed Steering Axle with Flanged Gearbox
Diferential Locks	Front Automatic, Rear Hydraulically controlled
Maximum Travel Speed	35 Km/h
Gears	4 Forward and 4 Reverse, 2 Electro-Hydraulic HI - LO + 2 Speed Transfer Case
Inching Control Pedal	Standard

### BRAKES

Service Brakes	Multi-discs Hydraulic Service Brakes on Both Axles with Fail-Safe circuit
Parking Brake	Multi-discs Hydraulic Parking Brake with Automatic Activation

### TYRES

Standard Tyres	All Terrain 18/19,5" 16 PR
----------------	----------------------------

### CABIN

Enclosed Cabin Structure FOPS and ROPS approved	Std
Level II FOPS Protection	Std
Automotive Air-Conditioning System	Std

### HYDRAULIC SYSTEM

Hydraulic Gear Service Pump for utilities	63 l/min
Hydraulic Gear Service Pump for Steering and Breaks	48 l/min

### SKIP

Certified HARDOX 450 Abrasion Resistant Skip Structure	Std
Double skip lifting hydraulic cylinders	Std
Safety hydraulic lock valves on lifting cylinders	Std

### MISCELLANEOUS

Fuel tank capacity	95 L
Hydraulic System capacity	140 L
Electrical system voltage	12v

### AVAILABLE OPTIONS

Perkins 121Hp TierIV Final Engine	Optional
High Floatation Trelleborg Tyres	Optional
Removable Skip Bulkhead protection	Optional
Pneumatic Suspension Grammer Seat	Optional
360° Vision Cameras System	Optional
LED Work lights Kit	Optional
Rugged bars protection kit	Optional

